

IR Quattro HD 24m

COM1 - surface black
 EAN 4007841 068615
 Article number 068615



infrared sensor



max. 8m x 8m presence

HD

4800 zones

2000 W

max. 2000 W



ideal 2,5 - 10 m



indoor sensor

iQ

iQ-mode



energy saving

5 years

manufacturer's warranty steinel-professional.de/
 garantie



CE

Function description

Detection no finer! Infrared presence detector Presence Control PRO IR Quattro HD COM1 AP for indoors, ideal for medium to large-size offices, conference and meeting rooms, classrooms and lecture theatres, sports halls and warehouses, installation height up to 10 m, surface-mounting version for switching light 'ON' and 'OFF', 4800 switching zones for the ultimate in detection quality, presence detection over a true 64 m², square detection zone, mechanically scalable.

Technical specifications

Dimensions (L x W x H)	65 x 120 x 120 mm
Manufacturer's Warranty	5 years
Settings via	Remote control, DIP switches, Potentiometers, Smart Remote
With remote control	No
Version	COM1 - surface black
PU1, EAN	4007841068615
Type	Presence detector
Application, place	Indoors
Application, room	classroom, lecture hall, open-plan office, high-bay warehouse, production facilities, conference room / meeting room, duty room, recreation room, changing room, sports hall, reception / lobby, multi-storey / underground car park
Colour	black
Colour, RAL	9005

Technology, sensors	passive infrared, Light sensor
Mounting height	2,50 – 10,00 m
Mounting height max.	10,00 m
Optimum mounting height	2,8 m
Detection angle	360 °
Angle of aperture	160 °
Sneak-by guard	Yes
Capability of masking out individual segments	No
Electronic scalability	No
Mechanical scalability	Yes
Reach, radial	8 x 8 m (64 m ²)
Reach, tangential	20 x 20 m (400 m ²)
Reach, presence	8 x 8 m (64 m ²)
Switching zones	4800 switching zones
Functions	Normal / test mode, Semi-/fully automatic, Pushbutton / switch

IR Quattro HD 24m

COM1 - surface black
 EAN 4007841 068615
 Article number 068615



Technical specifications

Includes corner wall mount	No		mode, Manual ON / ON-OFF, Constant-lighting control ON-OFF
Installation site	ceiling		
Installation	Surface wiring, Ceiling		
IP-rating	IP20		
Ambient temperature	from -25 up to 55 °C		
Material	Plastic		
Mains power supply	230 V / 50 – 60 Hz		
Fluorescent lamps, electronic ballast	1500 W		
Fluorescent lamps, uncorrected	1000 VA		
Fluorescent lamps, series-corrected	1000 VA		
Fluorescent lamps, parallel-corrected	1000 VA		
Switching output 1, low-voltage halogen lamps	2000 VA		
LED lamps < 2 W	100 W		
LED lamps > 2 W < 8 W	300 W		
LED lamps > 8 W	600 W		
Capacitive load in µF	176 µF		
		Twilight setting	10 – 1000 lx
		Time setting	30 s – 30 Min.
		Basic light level function	No
		Main light adjustable	No
		Twilight setting TEACH	Yes
		Constant-lighting control	No
		Interconnection	Yes
		Type of interconnection	Master/master, Master/slave
		Interconnection via	Cable
		Interconnection, number	max. 10 sensors
		Product category	Presence detector

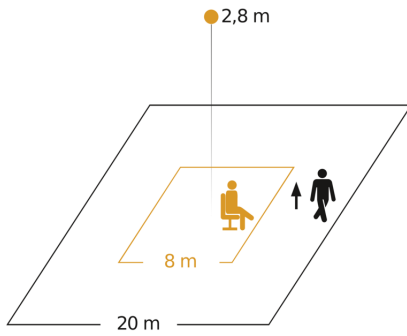
Accessories

EAN 4007841 003036	Control PRO guard cage
EAN 4007841 009151	Remote control Smart Remote
EAN 4007841 559410	Service remote control RC8

IR Quattro HD 24m

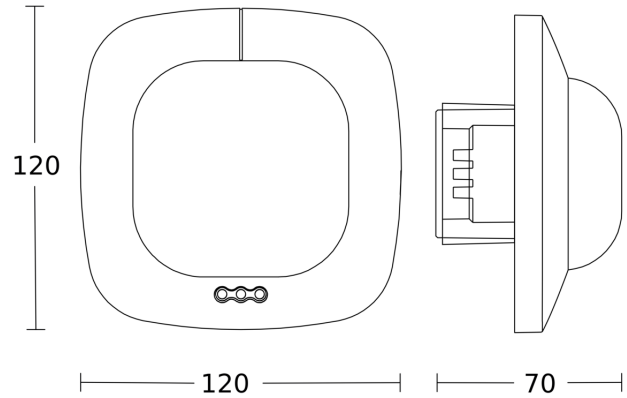
COM1 - surface black
EAN 4007841 068615
Article number 068615

Detection Zone

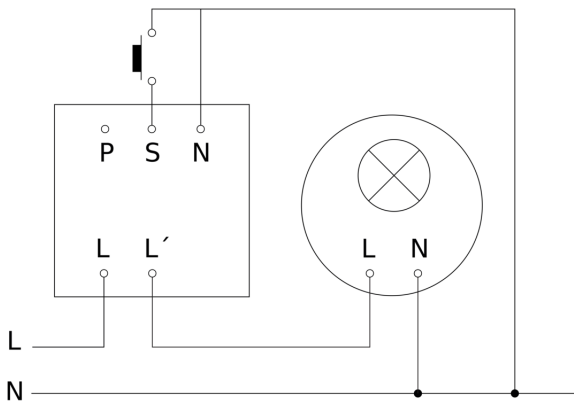


Possible mounting height: 2,50 m - 10,00 m
Orange: presence
Black: tangential

Dimension Drawing



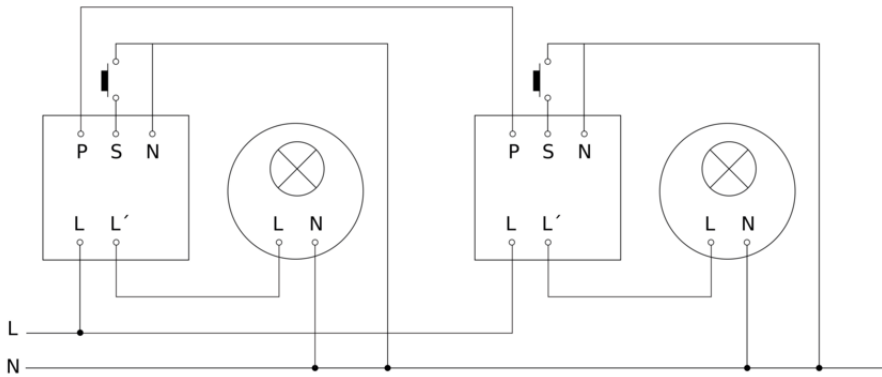
Master circuit diagram



IR Quattro HD 24m

COM1 - surface black
EAN 4007841 068615
Article number 068615

Master/master interconnection circuit diagram



Master/slave interconnection circuit diagram

